

Portable Scissor lift



YouTube



The product video

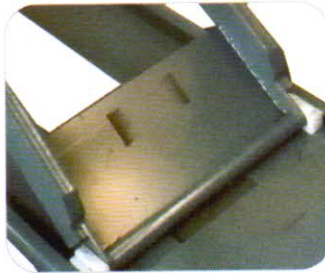
PRODUCT COLOR SELECTABLE



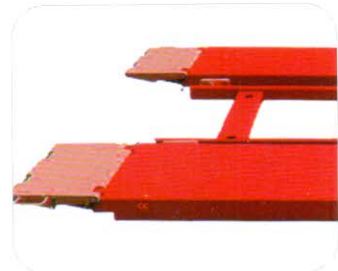
FEATURES



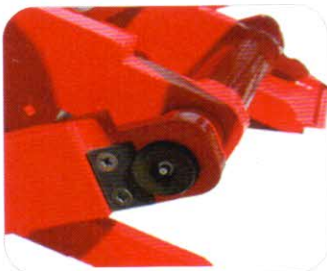
Locking approach ramps



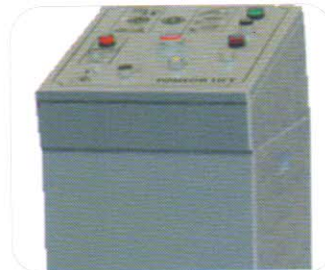
UHMW Slide Blocks



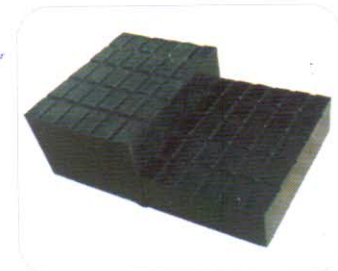
Ultra-Thin Platform Design



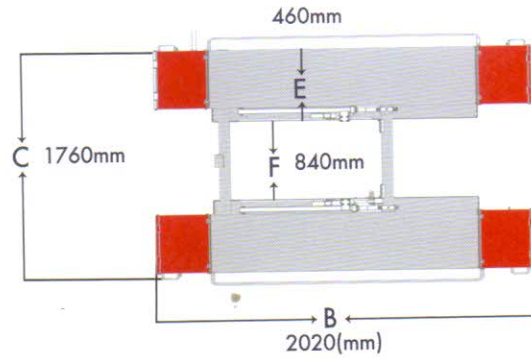
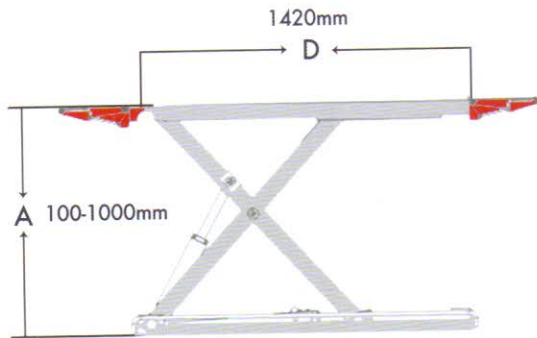
Zerk grease fittings at each hinge point



Separate control cabinet(24v) with equalizing system



Rubber pads included



- A** Lifting Height(mm):100-1000mm (3.9"-39.4")
- B** Length overall(mm):2020mm (79.5")
- C** Width overall(mm):1760mm (69.3')

- D** Runway Length(mm): 1420mm (55.9")
- E** Runway Width(mm):460mm(18.1')
- F** Distance between runways(mm):840mm (33.1")



STANDARD

L-S-7

Lifting capacity		3Ton / 7000lb
Lifting Height	A	100-1000mm (3.9"-39.4")
Length overall (mm)	B	2020mm (79.5")
Width overall (mm)	C	1760mm (69.3")
Runway Length(mm)	D	1420mm (55.9")
Runway Width(mm)	E	460mm (18.1")
Distance between runways(mm)	F	840mm (33.1")
Lifting time		50S
Power Supply		380v 3ph 50hz 220v 1ph 50hz
Air Pressure		6-8 bar

