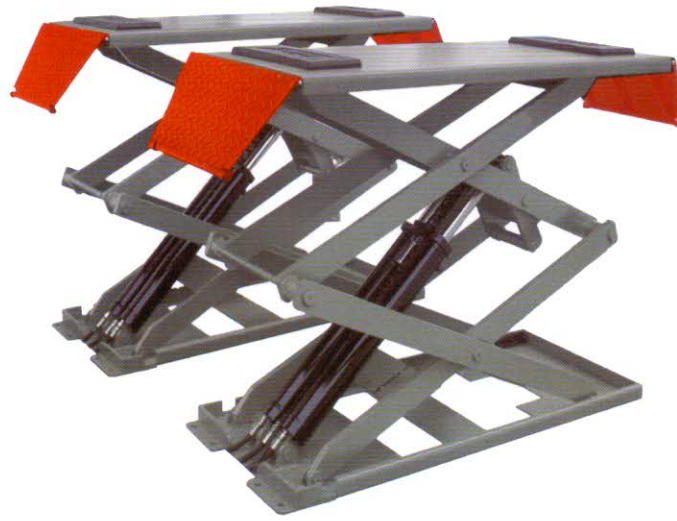




Ultra-thin Scissor lift



YouTube



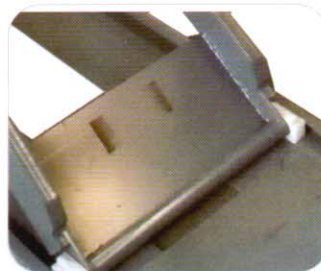
PRODUCT COLOR SELECTABLE



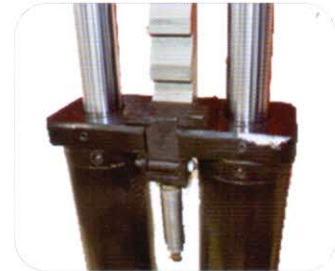
FEATURES



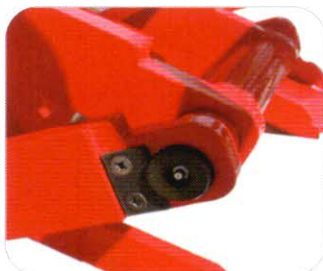
Locking approach ramps



UHMW Slide Blocks



Four Cylinder system With Air actuated locks



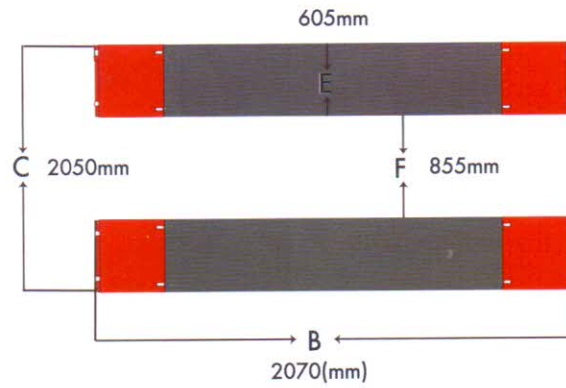
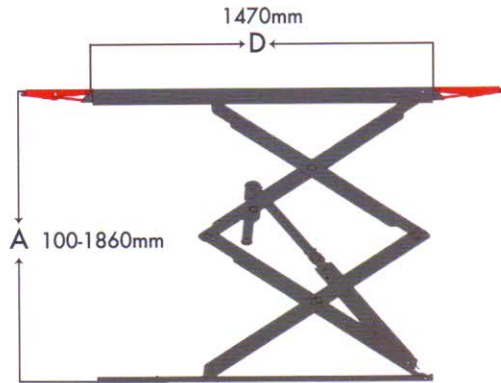
Two Cylinder system With Air actuated locks



Separate control cabinet(24v) with equalizing system



Rubber pads included



- A** Lifting Height(mm):100-1860mm (3.9"-73.2")
- B** Length overall(mm):2070mm (81.4")
- C** Width overall(mm):2050mm (80.7")

- D** Runway Length(mm): 1470mm (57.8")
- E** Runway Width(mm):605mm(23.6")
- F** Distance between runways(mm):855mm (33.6")



STANDARD

L-S-6

Lifting capacity		3.5Ton / 8000lb
Lifting Height	A	100-1860mm (3.9"-73.2")
Length overall (mm)	B	2070mm (81.4")
Width overall (mm)	C	2050mm (80.7")
Runway Length(mm)	D	1470mm (57.8")
Runway Width(mm)	E	605mm (23.6")
Distance between runways(mm)	F	855mm (33.6")
Lifting time		50S
Power Supply		380v 3ph 50hz 220v 1ph 50hz
Air Pressure		6-8 bar

